

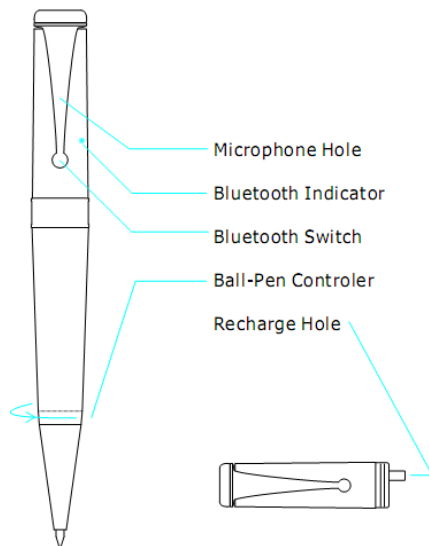
Spy Pen User Guide

A Special Note for Spy Pen Users!

Because of small size, the Spy Pen has limited coverage distance to the Earpiece. One should hold it near an ear within ~10 cm range. However, for a natural “sitting and writing” posture it is enough to make one feel comfortable in using it. This coverage range provides satisfactory audio level and allows listening clearly through an earpiece.

Getting Started

1. Make sure the Spy Pen is fully charged; otherwise charge it. Charging the battery fully may take up to 2-3 hours. Do not leave a fully charged battery connected to a charger, since overcharging may shorten its lifetime.



Charging the Spy Pen:

- Screw out the top part of the Spy Pen and find the round Recharge Hole.
- Connect the charger to a wall outlet.
- Connect the charger cable to the Pen through the recharging hole.
- The Bluetooth Indicator light is shining red while charging. This indicator is located on the side of the top part of the Spy Pen.
- Wait 2~3 hours to recharge the battery. When the battery is fully charged, the indicator light turns blue.
- Disconnect the charger from the Spy Pen and the wall outlet.

2. Activate Bluetooth service in your phone. Follow the following steps:

Pairing the Spy Pen with a phone:

- Press and hold the Bluetooth Switch, which is located underneath pen’s pocket clip, for 3-5 seconds until the Bluetooth Indicator light is continuously displayed with blue light.
 - Now the Bluetooth Spy Pen is set to a Bluetooth service search mode.
 - Locate the Spy Pen (the id is T9) in your mobile phone and activate phone headset mode for this Spy Pen.
 - If your phone prompts a password or key, just type four zeros (0000).
 - Then the indicator light will blink 2 times, that confirms the mobile is paired up with the Spy Pen.
3. Next time the Spy Pen will try to pair up itself automatically with the phone, used last time. To pair it up with another phone, repeat the step 2.

Spy Pen User Guide

Supported Bluetooth Operations:

To make a voice dial call	Tap the Bluetooth Switch and speak a name after a beep
To end a call	Tap the Bluetooth Switch
To receive a call	Tap the Bluetooth Switch
To reject a call	Press the Bluetooth Switch twice
To redial a last call	Press and hold the Bluetooth Switch until there is a beep
To transfer a call from a paired up phone to the Spy Pen	Press and hold the Bluetooth Switch for 3-5 seconds or use respective function in cell phone.

4. Take a fresh battery supported by the Earpiece and insert it into the Earpiece. Then plug it into your ear. The Earpiece will automatically pair up with the Spy Pen after battery insertion. For detailed instructions on the Earpiece, please, refer to the Earpiece User Guide.
5. Now the Spy Pen and the Earpiece are ready to use.
6. After using the Set, remove the battery from the Earpiece. To switch off the Pen, continuously press the Bluetooth Switch until the Bluetooth Indicator light is off.

Troubleshooting

For any questions regarding Spy Pens or Earpieces, contact www.gsmspyearpiece.com at info@gsmspyearpiece.com

Care and maintenance

Your device is a product of superior design and craftsmanship and should be treated with care. The suggestions below will help you protect your warranty coverage.

- Keep all accessories and enhancements out of the reach of small children.
- Keep the device dry. Precipitation, humidity, and all types of liquids or moisture can contain minerals that will corrode electronic circuits. If your device does get wet, allow it to dry completely.
- Do not store the device in hot areas. High temperatures can shorten the life of electronic devices, damage batteries, and warp or melt certain plastics.
- Do not store the device in cold areas. When the device returns to its normal temperature, moisture can form inside the device and damage electronic circuit boards.
- Do not attempt to open the device. Do not drop, knock, or shake the device. Rough handling can break internal circuit boards and fine mechanics.
- Do not use harsh chemicals, cleaning solvents, or strong detergents to clean the device.

All of the above suggestions apply equally to your device, battery, charger or any enhancement. **If any device is not working properly, contact www.gsmspyearpiece.com at info@gsmspyearpiece.com**

Disclaimer

www.gsmspyearpiece.com operates a policy of continuous development. www.gsmspyearpiece.com reserves the right to make changes and improvements to any of the products described in this document without prior notice. Under no circumstances shall www.gsmspyearpiece.com be responsible for any loss of data or income or any special, incidental, consequential or indirect damages howsoever caused. The contents of this document are provided "as is". Except as required by applicable law, no warranties of any kind, either express or implied, including, but not limited to, the implied warranties of merchantability and fitness for a particular purpose, are made in relation to the accuracy, reliability or contents of this document.